

***WHERE THERE'S A
FIRE, THERE MAY NOT
ALWAYS BE A ROAD***

FIRE
FIGHTING EQUIPMENT





PONSSE FIREFIGHTING EQUIPMENT

WHERE THERE'S A FIRE, THERE MAY NOT ALWAYS BE A ROAD

Wildfires are often difficult to extinguish and nearly always inaccessible to equipment and crews. There is a clear need to which we aim to respond. Forest machines are the most natural and effective way to access a forest fire area. Operations in difficult terrain come as second nature to them, and they have more than enough capacity in their hydraulic system for demanding conditions.

PONSSE FIREFIGHTING EQUIPMENT offers a quick, easy and simple way to turn a regular forest machine into a firefighting unit. There are a large number of forest machines, and when harnessed to firefighting activities, they increase the accessibility of wildfire locations to an entirely new level. The 10,000-litre water tank is equipped with a powerful pump and water cannon. The equipment is installed as a single package – and after it has been connected to the machine's hydraulics, a firefighting machine is ready to operate. No separate power source is needed.

PONSSE FIREFIGHTING EQUIPMENT

The firefighting equipment can be installed on PONSSE Buffalo and Elephant machines. After installing minor optional equipment in the machine's hydraulics and fitting the firefighting equipment, the machine is ready to work in the forest fire sites.

BASE MACHINE

PONSSE Buffalo, Buffalo King, Elephant and Elephant King are all highly compatible with the firefighting equipment in both their dimensions and properties. The firefighting equipment needs a load space at least 2 760 mm wide, a sufficiently powerful hydraulic pump and three connections to machine hydraulics.

TRANSPORTATION STAND

The equipment can be stored in its stand until it is needed, and the stand makes it easy to transport the equipment on a demountable platform vehicle equipped with a hook lift.



WATER TANK

The aluminium water tank forms the core of the firefighting equipment. It withstands the use of various chemicals mixed with water, as well as seawater. It is also light to enable it to be lifted into the machine load space. Baffle plates have been installed inside the tank to support the structure and prevent water from flowing freely in the tank when the machine is driven on the terrain. The top of the tank is equipped with large refilling units through which chemicals can also be added quickly and easily. Sturdy steps and rails make working safe.

PUMP

The firefighting equipment includes a powerful centrifugal impeller water pump. As it is powered by the machine's loader hydraulics, no external power source is needed. All sensitive parts have been anodised, making spray pump components resistant to seawater.

WATER CANNON

Designed especially for firefighting, the hydraulically controlled water cannon rotates 360 degrees. The spray direction, angle and pattern, ranging from water mist to a solid stream, can be adjusted using remote control. The solid stream reaches nearly 50 metres. As all critical parts of the water cannon have been anodised, seawater can also be used.

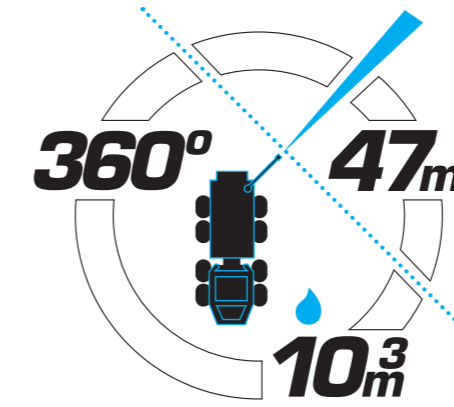
REFILLING PUMP

The refilling pump is a centrifugal submersible pump, which fills the water tank from a natural water source in approximately seven minutes. The pump is powered by the machine's loader hydraulics. From the lifting handle, the pump can be moved to any specific place, position and depth using the machine's loader.

REMOTE CONTROL

The wireless remote control can adjust the water spray direction vertically and horizontally, as well as the spray pattern. Its range is approximately 100 metres, and several controllers can be used safely at the same time in a single area. Battery life is 6 to 8 hours, and the battery can be replaced very quickly.





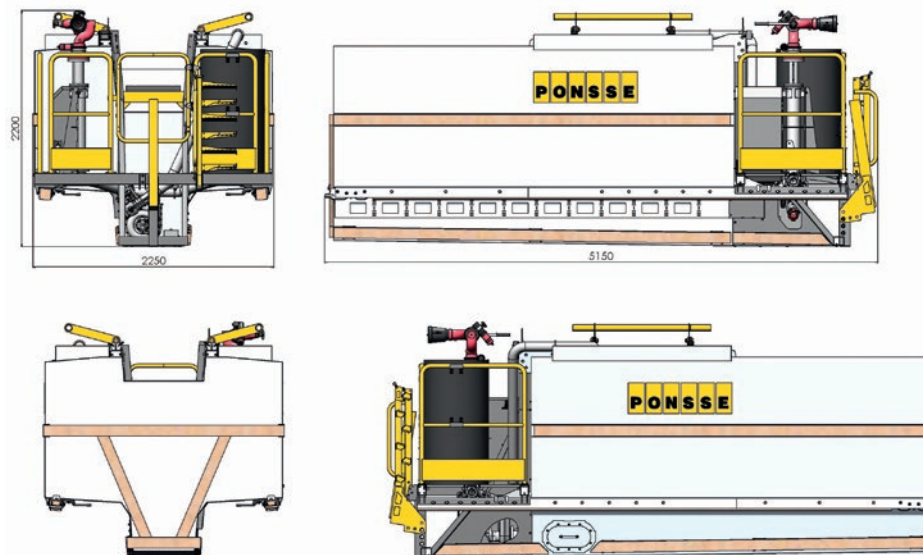
PONSSE FIREFIGHTING EQUIPMENT

IMPRESSIVE POWER FOR FIGHTING WILDFIRES

PONSSE FIREFIGHTING EQUIPMENT is in a league of its own because of its agility on different terrains, and its impressive power figures. The water cannon rotates freely around its axis. The full reach of the water cannon is 47 metres. The water pressure can be adjusted manually, while everything else can be controlled remotely. The large water tank keeps the firefighting crew working for a long time, and it can be refilled quickly from a natural water source or a tanker truck using its own pump. In addition to the water cannon, two hoses can be connected to the tank's couplings. The equipment is very effective in limiting and extinguishing fires, including peatland fires, when paired with an excavator.

The independent firefighting unit can refill its tank from a natural water source using its own pump and, because of its agility, it can bring water to an otherwise inaccessible firefighting location. Firefighting is now possible where there are no roads. Best of all, no capital is tied to downtime – machines can operate productively at all times and come to help as required.

PONSSE FIREFIGHTING EQUIPMENT



PONSSE firefighting equipment complies with the requirements of the European Union Machinery Directive 2006/42/EC. Before the firefighting equipment is placed on the market outside the EU the local distributor (e.g. subsidiary, authorized dealer) needs to ensure that the equipment fulfills the local laws and regulations.

The local, relevant authority (e.g. fire brigade or rescue department) is responsible for the planning of firefighting work and operations. A trained firefighter (rescue personnel) is responsible for safety of firefighting work and operation. The firefighter (rescue personnel) uses PONSSE firefighting equipment and gives instructions to the forwarder operator during the firefighting work.

DIMENSIONS

Length:	5 150 mm/16.9 ft
Width:	2 250 mm/7.4 ft
Height:	2 200 mm/7.2 ft
Weight:	1 500 kg/3,300 lb
Weight of the transportation stand:	1 100 kg/2,425 lb

WATER CANNON

Model:	TR 75 SHK
Reach:	35-47 m/115-154 ft
Turning angle:	360°

REFILLING PUMP

Model:	Reini S1
Maximum yield:	3,000 l/min
Refilling time, 10,000 l:	approx. 7 min

SPRAYING PUMP

Model:	Reini PP3
Maximum yield:	950 l/min
Max. water pressure:	14 bar
Max. hydraulic flow:	102 l/min
Max. hydraulic pressure:	350 bar

BASE MACHINE REQUIREMENTS

PONSSE Buffalo, Buffalo King, Elephant, Elephant King or:	
Loader, at least:	K 90 or similar
Load space width:	2 760 mm
Min. hydraulic flow:	100 l/min
Min. hydraulic pressure:	235 bar

